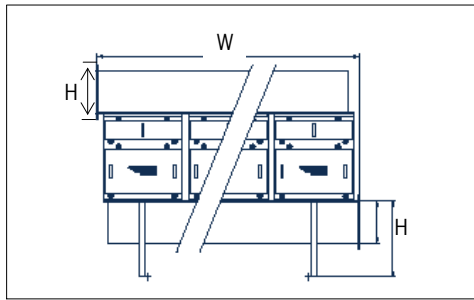
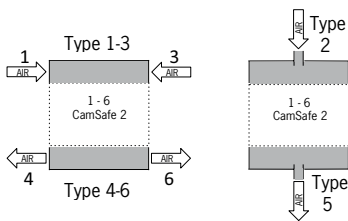


CamSafe 2 - Connecting Ducts painted



Advantages

- Modularity
- Fully welded airtight
- Flange drilled ready for operation
- Lifting eyes in standard



Application: Assembling casing in parallel to handle airflow up to 24000 m³/h.

Type: Connecting ducts for CamSafe 2 housing.

Construction: 2mm steel airtight welded, white epoxy painted oven baked RAL 9010, 70µm.

For housing: CamSafe 2 mounted in parallel.

Connection: Rectangular flanges pre-drilled at the factory.

Accessories: Gaskets and bolting kit (FPA1108).

Type	Airflow max. m ³ /h	For many caissons in parallel	Size overall (LxHxP*) mm	Section inner flangesmm	Unit volume m ³	Unit mass kg
Ducting top side intake 1-1000/1-3	4 000	1	840x355x725	250x625	0.3	30
Ducting top side intake 2-1000/1-3	8 000	2	1625x425x725	320x625	0.6	45
Ducting top side intake 3-1000/1-3	12 000	3	2410x495x725	390x625	1.0	80
Ducting top side intake 4-1000/1-3	16 000	4	3195x595x725	490x625	1.6	105
Ducting top side intake 5-1000/1-3	20 000	5	4017x695x725	590x625	2.2	150
Ducting top side intake 6-1000/1-3	24 000	6	4802x800x725	695x625	3.0	195
Ducting bottom side exit 1-1000/4-6	4 000	1	840x700x725	250x625	0.5	40
Ducting bottom side exit 2-1000/4-6	8 000	2	1625x700x725	320x625	1.0	55
Ducting bottom side exit 3-1000/4-6	12 000	3	2410x700x725	390x625	1.6	85
Ducting bottom side exit 4-1000/4-6	16 000	4	3195x700x725	490x625	2.0	115
Ducting bottom side exit 5-1000/4-6	20 000	5	4017x700x725	590x625	2.6	165
Ducting bottom side exit 6-1000/4-6	24 000	6	4802x800x725	695x625	3.0	215
Ducting top central intake 1-1000/2	4 000	1	840x300x725	250x625	0.3	30
Ducting top central intake 2-1000/2	8 000	2	1625x370x725	320x625	0.6	45
Ducting top central intake 3-1000/2	12 000	3	2410x440x725	390x625	1.0	80
Ducting top central intake 4-1000/2	16 000	4	3195x540x725	490x625	1.6	105
Ducting top central intake 5-1000/2	20 000	5	4017x640x725	590x625	2.2	150
Ducting top central intake 6-1000/2	24 000	6	4802x740x725	695x625	3.0	195
Ducting top central exit 1-1000/2	4 000	1	840x300x725	250x625	0.5	40
Ducting top central exit 2-1000/2	8 000	2	1625x370x725	320x625	1.0	55
Ducting top central exit 3-1000/2	12 000	3	2410x440x725	390x625	1.6	90
Ducting top central exit 4-1000/2	16 000	4	3195x540x725	490x625	2.0	125

** Depending on the filter used

As part of our program for continuous improvement, Camfil reserves the right to change specifications without notice. 2016-12-09