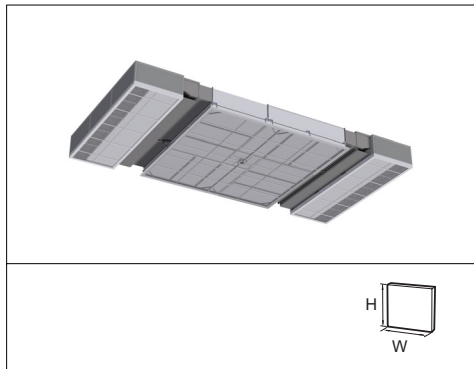


CamHosp-R: Operating theatre recirculation air ceiling



Advantages

- Low noise
- Compact design
- Low energy consumption design
- Easy installation
- Safety mounting
- Easy maintenance
- Recirculation units incl.
- Flexibility/evolutivity of OT

Application: Ultra Clean ventilation ceiling for operating theatre

Type: Modular ceiling unidirectional airflow for operating theatres including air recirculation units

Construction: Modules factory made to be assembled on site

Air modules (recirc units): 6 modules (example : based on Type 4)

- power supply : 6x230 V / 50Hz / 16 A- installed power : 6x1140 W / 6x6,4 A

- absorbed power : 0,25 m/s: 1020 W* (6x170 W) - 0,32 m/s: 1332 W* (6x222 W)

- thermal load: 0,25 m/s: 255 W* - 0,32 m/s: 333W*

* values with 2400 m³/h fresh air supply

Pre-filter for air modules: Opakfil Energy, CityCarb/CitySorb etc.

Noise level: 0,25m/s: <45dB(A) - 0,32 m/s: <48dB(A)

Assembling: The modules are bolted together on site and airtightness is achieved by individual gaskets between the modules

Protection: Plenum Epoxy painted RAL9010, inside and outside. The air modules are epoxy painted on the room side and all non painted areas are galvanised

Test port: 1 room side, for pressure and EMERY/DEHS test sampling according to ISO EN 14644-3

Filter mounting: Filter access from room side, quick clamping device, Gel seal

Housing airtightness at 450Pa: Class B NF EN 1886:1998 - Class L1 (M) PR EN 1886:2003 - Class C PR EN 12237:2003

Gasket seal airtightness at 450Pa: Max local penetration less than 10⁻⁴ (0.01 %) according to ISO EN 14644-3

Operating light path: 2 possibilities : a) cover plates - b) add.filter installation

Air diffuser: Screentek in 2 parts

Installation: Suspended by hangers to fix into peripheral perforated pads

Options: Air flow guides, lighting system

Remarks: Complies with health care standards DIN 1946, NFS 90351 etc

INSTALLATION BY CAMFIL SPECIALISTS **MANDATORY**

Type	Size (WxHxD) mm	Flow size (WxH) mm	OP Area m ²	No. of filters	No. Of fans	Efficiency	Airflow at		Fresh air supply
							0,25m/s	0,3m/s	
CamHosp-R - Type 2	5010x2580x450	2400x1800	4.3		4		3900	5000	1500-2400
MG14-G10-GEL*	873x564x115			6		H14			
MG14-G10-GEL*	561x545x115			2		H14			
CamHosp-R - Type 3	5615x3040x450	2500x2500	6		4		5400	6920	1500-2400
MG14-G10-GEL*	873x564x115			8		H14			
MG14-G10-GEL*	873x545x115			2		H14			
CamHosp-R - Type 4	6250x3200x450	3200x3200	9		6		8100	10400	1500-2400
MG14-S-G10-GEL*	1182x564x115			12		H14			
CamHosp-R - Type 4.5	4250x6250x450	4250x3200	12		8		11200	14400	1500-2400
MG14-G10-GEL*	1182x564x115			12		H14			
MG14-G10-GEL*	1182x471x115			4		H14			
MG14-G10-GEL*	465x545x115			2		H14			

* Filter MEGALAM not included, to be ordered separately